



ELECTRO-HYDRAULIC CYLINDER

The MMP has an integrated electric DC motor, hydraulic pump, valves and cylinder all in a complete, compact package.

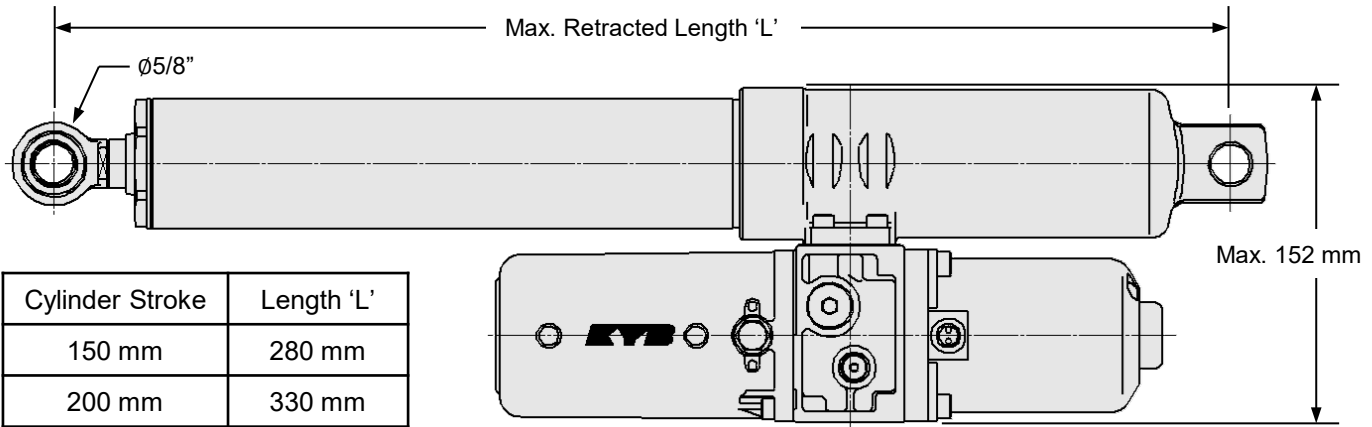
EXTENSION FORCE : 150 to 2400 lbs.

STROKES : 6 to 14 inch

ELECTRIC MOTORS : 12V DC

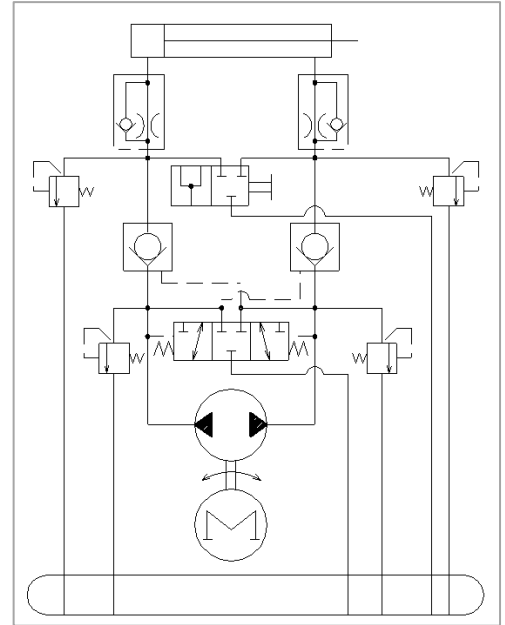
UNLIMITED MOUNTING POSITIONS

MMP DIMENSIONAL INFORMATION



Cylinder Stroke	Length 'L'
150 mm	280 mm
200 mm	330 mm
250 mm	380 mm
300 mm	430 mm
350 mm	480 mm

MMP HYDRAULIC SCHEMATIC



MMP MODEL CODE

MMP5 - **1** **2** **3** **4** BB - QR

1	Relief Valve Setting	A: 4.1 MPa B: 7.1 MPa
2	Power Supply	1: 12V DC
3	Cylinder Size (mm)	O: φ34-φ20 B: φ40-φ20 R:φ46-φ20
4	Cylinder Stroke (mm)	150, 200, 250, 300, 350

MMP PERFORMANCE INFORMATION

MMP5-A* 4.1MPa Relief Valve Pressure

MMP5-B* 7.1MPa Relief Valve Pressure

