

MMP MINI-MOTION PACKAGE

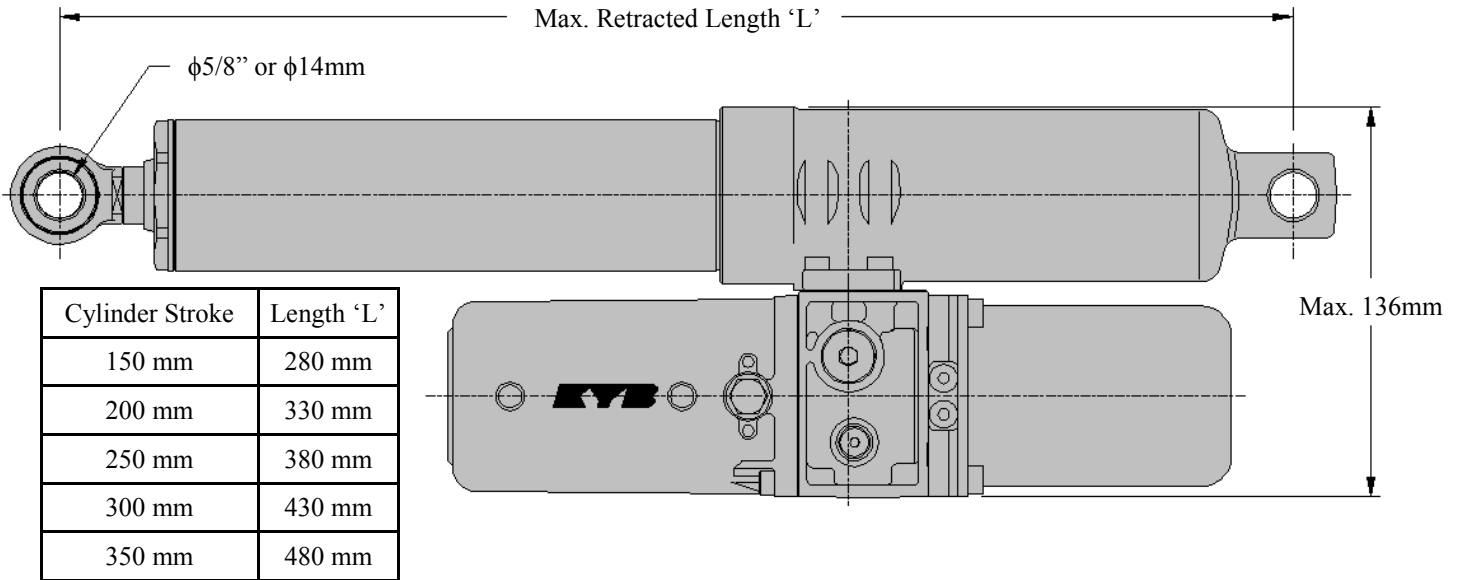


The MMP is an electric over hydraulic linear actuator featuring an electric DC motor integrated with hydraulic valves, pump and cylinder in a compact package.

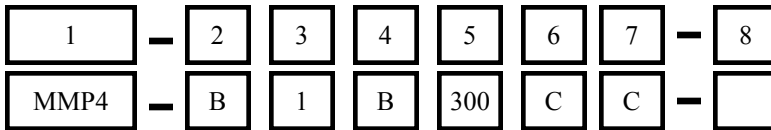
- 150 to 2600 lbs Extension Force
- 6 to 14 Inch Strokes
- 12V, 24V and 100V DC Electric Motors
- Unlimited Mounting Positions
- Additional Options Available
- Designed for Your Application

KYB

MMP DIMENSIONAL INFORMATION

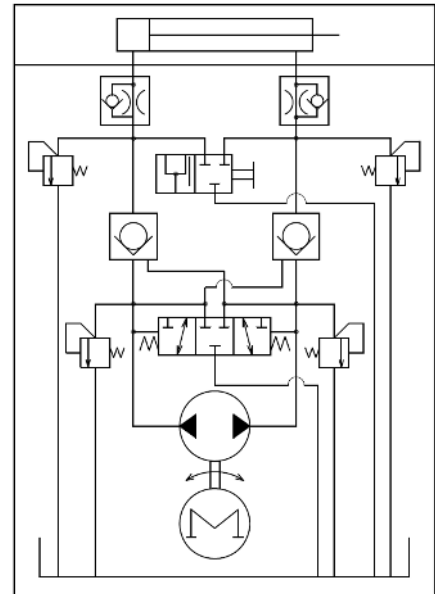


MMP MODEL CODE



1	Model	Mini-Motion Package Type 4
2	Relief Valve Pressure	A: 4.1 MPa B: 7.1 MPa
3	Power Supply	1: 12VDC 2: 24VDC 3: 100VDC
4	Cylinder Size (mm)	O: $\phi 34$ - $\phi 20$ B: $\phi 40$ - $\phi 20$ R: $\phi 46$ - $\phi 20$
5	Cylinder Stroke (mm)	150, 200, 250, 300, 350
6	A Port Orifice	Multiple Slow Return Valves for A and/or B Ports available depending on the application
7	B Port Orifice	
8	Options	For additional options please contact KYB

MMP HYDRAULIC CIRCUIT



MMP PERFORMANCE INFORMATION

